



# CE/EMC TEST REPORT

For

Noron Ltd.

Product Name:	NVR
Trademark:	Noron, Videokernel, Huatu
Model Number:	HTNR-5004L-P4 HTNR-5004-P4, HTNR-5004-P4-I, HTNR-5008-P8, HTNR-5008-P8-I, HTNR-5016-P8, HTNR-6004-2, HTNR-7008-2, HTNR-7008-2-I, HTNR-7008-2-P8, HTNR-7008-2-P8-I, HTNR-7016-2, HTNR-7016-2-I, HTNR-7016-2-P8, HTNR-7016-2-P8-I, HTNR-7016-2-P16, HTNR-7016-2-P16-I, HTNR-7032-2, HTNR-7032-2-P8, HTNR-7032-2-P16, HTNR-7008-8, HTNR-7008-8-I, HTNR-7016-8, HTNR-7016-8-I, HTNR-7032-8.
Prepared For:	Noron Ltd.
Address:	Esentepe Mah Yeditepe Sok No:12/3, Kartal Istanbul Turkey Blvd, Osvobozhdenie 32, Trakia Nova, 7-th floor, Office 25, Plovdiv / BULGARIA.
Prepared By:	Shenzhen BCTC Technology Co., Ltd.
Address:	NO.101, Yousong Road, Longhua New District, Shenzhen, Guangdong, P.R.China
Report No.:	BCTC-160608452E

**TABLE OF CONTENT**

	Page
Test Report Declaration	
<b>1. GENERAL INFORMATION</b>	<b>5</b>
1.1. Description of Device (EUT)	5
1.2. Tested System Details	5
1.3. Test Uncertainty	5
1.4. Test Facility	6
<b>2. TEST INSTRUMENT USED</b>	<b>7</b>
<b>3. CONDUCTED EMISSION AT THE MAINS TERMINALS TEST</b>	<b>11</b>
3.1. Block Diagram Of Test Setup	11
3.2. Test Standard	11
3.3. Power Line Conducted Emission Limit	11
3.4. EUT Configuration on Test	11
3.5. Operating Condition of EUT	11
3.6. Test Procedure	12
3.7. Test Result	12
<b>4. RADIATION EMISSION TEST</b>	<b>15</b>
4.1. Block Diagram of Test Setup	15
4.2. Test Standard	15
4.3. Radiation Limit	15
4.4. EUT Configuration on Test	16
4.5. Operating Condition of EUT	16
4.6. Test Procedure	16
4.7. Test Result	16
<b>5. HARMONIC CURRENT EMISSION TEST</b>	<b>19</b>
5.1. Block Diagram of Test Setup	19
5.2. Test Standard	19
5.3. Operating Condition of EUT	19
5.4. Test Procedure	19
5.5. Test Results	19
<b>6. VOLTAGE FLUCTUATIONS &amp; FLICKER TEST</b>	<b>20</b>
6.1. Block Diagram of Test Setup	20
6.2. Test Standard	20
6.3. Operating Condition of EUT	20
6.4. Test Procedure	20
6.5. Test Results	20
<b>7. ELECTROSTATIC DISCHARGE IMMUNITY TEST</b>	<b>22</b>
7.1. Block Diagram of Test Setup	22
7.2. Test Standard	22
7.3. Severity Levels and Performance Criterion	22
7.4. EUT Configuration	23
7.5. Operating Condition of EUT	23
7.6. Test Procedure	23
7.7. Test Results	24
<b>8. RF FIELD STRENGTH SUSCEPTIBILITY TEST</b>	<b>25</b>
8.1. Block Diagram of Test Setup	25
8.2. Test Standard	25
8.3. Severity Levels and Performance Criterion	26
8.4. EUT Configuration on Test	26
8.5. Operating Condition of EUT	26



8.6. Test Procedure ..... 27

8.7. Test Results ..... 27

**9. ELECTRICAL FAST TRANSIENT/BURST IMMUNITY TEST.....28**

9.1. Block Diagram of EUT Test Setup ..... 28

9.2. Test Standard..... 28

9.3. Severity Levels and Performance Criterion ..... 28

9.4. EUT Configuration on Test..... 29

9.5. Operating Condition of EUT ..... 29

9.6. Test Procedure ..... 29

9.7. Test Results ..... 30

**10. SURGE TEST .....31**

10.1. Block Diagram of EUT Test Setup ..... 31

10.2. Test Standard..... 31

10.3. Severity Levels and Performance Criterion ..... 31

10.4. EUT Configuration on Test..... 32

10.5. Operating Condition of EUT ..... 32

10.6. Test Procedure ..... 32

10.7. Test Result ..... 33

**11. INJECTED CURRENTS SUSCEPTIBILITY TEST .....34**

11.1. Block Diagram of EUT Test Setup ..... 34

11.2. Test Standard..... 34

11.3. Severity Levels and Performance Criterion ..... 34

11.4. EUT Configuration on Test..... 35

11.5. Operating Condition of EUT ..... 35

11.6. Test Procedure ..... 35

11.7. Test Result ..... 36

**12. MAGNETIC FIELD IMMUNITY TEST .....37**

12.1. Block Diagram of Test Setup ..... 37

12.2. Test Standard..... 37

12.3. Severity Levels and Performance Criterion ..... 37

12.4. EUT Configuration on Test..... 38

12.5. Operating Condition of EUT ..... 38

12.6. Test Procedure ..... 38

12.7. Test Results ..... 38

**13. VOLTAGE DIPS AND INTERRUPTIONS TEST .....39**

13.1. Block Diagram of EUT Test Setup ..... 39

13.2. Test Standard..... 39

13.3. Severity Levels and Performance Criterion ..... 39

13.4. EUT Configuration on Test..... 39

13.5. Operating Condition of EUT ..... 40

13.6. Test Procedure ..... 40

13.7. Test Result ..... 40

**14. EUT PHOTOGRAPHS .....41**

**15. EUT TEST PHOTOGRAPHS .....45**

**Shenzhen BCTC Technology Co., Ltd.**

Applicant : Noron Ltd.

Address : Esentepe Mah Yeditepe Sok No:12/3, Kartal Istanbul Turkey  
Blvd. Osvozhdenie 32, Trakia Nova, 7-th floor, Office 25, Plovdiv / BULGARIA.

Manufacturer : Shenzhen Huatu Digital Technology Co., Ltd.

Address : 6/F, Building5, Zhong He Group industrial area, Baishizhou, Nan shan district, 518000, Shenzhen, China

EUT : Noron, Videokernel, Huatu

Model Number : H HTNR-5004L-P4  
HTNR-5004-P4, HTNR-5004-P4-I, HTNR-5008-P8, HTNR-5008-P8-I, HTNR-5016-P8, HTNR-6004-2, HTNR-7008-2, HTNR-7008-2-I, HTNR-7008-2-P8, HTNR-7008-2-P8-I, HTNR-7016-2, HTNR-7016-2-I, HTNR-7016-2-P8, HTNR-7016-2-P8-I, HTNR-7016-2-P16, HTNR-7016-2-P16-I, HTNR-7032-2, HTNR-7032-2-P8, HTNR-7032-2-P16, HTNR-7008-8, HTNR-7008-8-I, HTNR-7016-8, HTNR-7016-8-I, HTNR-7032-8.

Trademark: : Noron

Test Date : Jul. 05 - Jul. 11, 2016

Date of Report : Jul. 11, 2016

**Test Result:** : The equipment under test was found to be compliance with the requirements of the standards applied.

## Test Procedure Used:

EMI : EN 55022:2010+AC:2011

EN 61000-3-2:2014, EN 61000-3-3:2013

EMS : EN 55024:2010

EN 61000-4-2:2009, EN 61000-4-3:2006+A1:2008+A2:2010,

EN 61000-4-4:2012, EN 61000-4-5:2014,

EN 61000-4-6:2014, EN 61000-4-8:2010, EN 61000-4-11:2004

Prepared by(Engineer): Amy Li \_\_\_\_\_

Reviewer(Supervisor): Jade Yang \_\_\_\_\_

Approved(Manager): Carson Zhang \_\_\_\_\_

*This test report is based on a single evaluation of one sample of above mentioned products. It is not permitted to be duplicated in extracts without written approval of Shenzhen BCTC Technology Co., Ltd.*



## 1. GENERAL INFORMATION

### 1.1. Description of Device (EUT)

EUT : NVR

Trademark : Noron, Videokernel, Huatu

Model Number : H HTNR-5004L-P4  
HTNR-5004-P4, HTNR-5004-P4-I, HTNR-5008-P8,  
HTNR-5008-P8-I, HTNR-5016-P8, HTNR-6004-2,  
HTNR-7008-2, HTNR-7008-2-I, HTNR-7008-2-P8,  
HTNR-7016-2-P8-I, HTNR-7016-2, HTNR-7016-2-I,  
HTNR-7016-2-P8, HTNR-7016-2-P8-I, HTNR-7016-2-P16,  
HTNR-7016-2-P16-I, HTNR-7032-2, HTNR-7032-2-P8,  
HTNR-7032-2-P16, HTNR-7008-8, HTNR-7008-8-I,  
HTNR-7016-8, HTNR-7016-8-I, HTNR-7032-8.

Model Difference : The product is different for model number and outlook color.

Power Supply : Input:AC100-240V 50/60Hz 1.8A  
Output:DC48V 1.35A

Note: HTNR-5004L-P4 was selected as the test model and the datas have been recorded in this report.

### 1.2. Tested System Details

Personal Computer : ASUS

Monitor : SONY

M/N : A1580TW

M/N : MNT1

Printer : EPSON STYLUS

Keyboard (USB) : Genuine

M/N : P320A

M/N : N/A

Modem : ACEEX

Mouse : DETROIS

M/N : DM-1414

M/N : CM309

### 1.3. Test Uncertainty

Conducted Emission :  $\pm 2.66$ dB  
Uncertainty

Radiated Emission Uncertainty :  $\pm 4.26$ dB



#### 1.4. Test Facility

##### Site Description

Name of Firm : Shenzhen BCTC Technology Co., Ltd.

Site Location : NO.101, Yousong Road, Longhua New District,  
Shenzhen, Guangdong, P.R.China

Lab Qualifications : Certificated by Industry Canada  
Registration No.: 12655A  
Date of registration: January 19, 2015

Certificated by FCC, USA  
Registration No.: 187086  
Date of registration: November 28, 2014

Certificated by CNAS China  
Registration No.: CNAS L6046  
Date of registration: February 3, 2013

DRAFT REPORT



## 2. TEST INSTRUMENT USED

For Conducted Emission at the mains terminals Test

Conducted Emission Test ( A --- site )					
Equipment	Manufacturer	Model#	Serial#	Last Cal.	Next Cal.
843 Shielded Room	ChengYu	843 Room	843	Aug. 25, 2015	Aug. 24, 2016
EMI Receiver	R&S	ESCI	101421	Aug. 27, 2015	Aug. 26, 2016
LISN	Schwarzbeck	NSLK8127	8127739	Sep. 07, 2015	Sep. 06, 2016
Attenuator	R&S	ESH3-Z2	BCTC021E	Aug. 25, 2015	Aug. 24, 2016
843 Cable 1#	FUJIKURA	843C1#	001	Aug. 25, 2015	Aug. 24, 2016

For Conducted Emission at the telecom port Test

Conducted Emission Test ( A --- site )					
Equipment	Manufacturer	Model#	Serial#	Last Cal.	Next Cal.
843 Shielded Room	ChengYu	843 Room	843	Aug. 25, 2015	Aug. 24, 2016
EMI Receiver	R&S	ESCI	101421	Aug. 27, 2015	Aug. 26, 2016
Coupling/ Decoupling Network	PH	ISN T800	S1509001	Aug. 25, 2015	Aug. 24, 2016
Attenuator	R&S	ESH3-Z2	BCTC021E	Aug. 25, 2015	Aug. 24, 2016
843 Cable 1#	FUJIKURA	843C1#	001	Aug. 25, 2015	Aug. 24, 2016

For Radiated Emission Test



Radiation Emission Test (966 chamber)					
Equipment	Manufacturer	Model#	Serial#	Last Cal.	Next Cal.
966 chamber	ChengYu	966 Room	966	Aug. 25, 2015	Aug. 24, 2016
Spectrum Analyzer	Agilent	E4407B	MY45109572	Aug. 27, 2015	Aug. 26, 2016
Amplifier	Schwarzbeck	BBV9743	9743-119	Aug. 25, 2015	Aug. 24, 2016
Amplifier	Schwarzbeck	BBV9718	9718-270	Aug. 25, 2015	Aug. 24, 2016
Log-periodic Antenna	Schwarzbeck	VULB9160	VULB9160-3369	Sep. 07, 2015	Sep. 06, 2016
EMI Receiver	R&S	ESCI	101421	Aug. 27, 2015	Aug. 26, 2016
Horn Antenna	Schwarzbeck	BBHA9120D	9120D-1275	Aug. 25, 2015	Aug. 24, 2016
966 Cable 1#	CHENGYU	966	004	Aug. 25, 2015	Aug. 24, 2016
966 Cable 2#	CHENGYU	966	003	Aug. 25, 2015	Aug. 24, 2016

**For Harmonic & Flicker Test**

For Harmonic / Flicker Test ( A --- site )					
Equipment	Manufacturer	Model#	Serial#	Last Cal.	Next Cal.
Harmonic / Flicker Analyzer	KIKUSUI	KHA1000	VA002445	Sep. 07, 2015	Sep. 06, 2016
AC Power Supply	KIKUSUI	PCR4000M	UK001879	Sep. 07, 2015	Sep. 06, 2016
Line Impedance network	KIKUSUI	LIN1020JF	UL001611	Sep. 07, 2015	Sep. 06, 2016

**For Electrostatic Discharge Immunity Test**

For Electrostatic Discharge Immunity Test ( A --- site )					
Equipment	Manufacturer	Model#	Serial#	Last Cal.	Next Cal.
ESD Tester	KIKISUI	KES4201A	UH002321	Aug. 28, 2015	Aug. 27, 2016

**For RF Field Strength Susceptibility Test(SMQ)**

For RF Field Strength Susceptibility Test (SMQ --- site )					
Equipment	Manufacturer	Model#	Serial#	Last Cal.	Next Cal.
Signal Generator	HP	8648A	3625U00573	Sep. 26, 2015	Sep. 26, 2016
Amplifier	A&R	500A100	17034	Sep. 26, 2015	Sep. 26, 2016
Amplifier	A&R	100W/1000M1	17028	Sep. 26, 2015	Sep. 26, 2016
Audio Analyzer (20Hz~1GHz)	Panasonic	2023B	202301/428	Sep. 26, 2015	Sep. 26, 2016
Isotropic Field	A&R	FP2000	16755	Sep. 26, 2015	Sep. 26, 2016





Probe					
Antenna	EMCO	3108	9507-2534	Sep. 26, 2015	Sep. 26, 2016
Log-periodic Antenna	A&R	AT1080	16812	Sep. 26, 2015	Sep. 26, 2016

DRAFT REPORT



### For Electrical Fast Transient /Burst Immunity Test

For Electrical Fast Transient/Burst Immunity Test ( A --- site )					
Equipment	Manufacturer	Model#	Serial#	Last Cal.	Next Cal.
Burst Tester	Prima	EFT61004AG	PR14054467	Aug. 25, 2015	Aug. 24, 2016
Coupling Clamp	Prima	EFT61004AG	BCTC009E	Aug. 25, 2015	Aug. 24, 2016

### For Surge Test

For Surge Test ( A --- site )					
Equipment	Manufacturer	Model#	Serial#	Last Cal.	Next Cal.
Surge Tester	Prima	SUG61005BX	PR12045446	Aug. 27, 2015	Aug. 26, 2016

### For Injected Currents Susceptibility Test

For Injected Currents Susceptibility Test ( A --- site )					
Equipment	Manufacturer	Model#	Serial#	Last Cal.	Next Cal.
C/S Test System	SCHLODER	CDG600	126B1281	Aug. 27, 2015	Aug. 26, 2016
CDN	SCHLODER	CDN-M2+3	A2210320/2015	Aug. 27, 2015	Aug. 26, 2016
Injection Clamp	SCHLOBER	EMCL-20	132A1214/2015	Aug. 27, 2015	Aug. 26, 2016

### For Magnetic Field Immunity Test

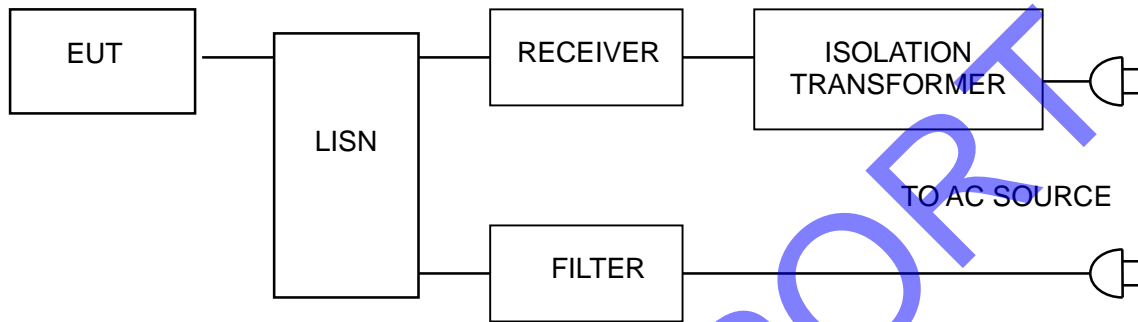
For Magnetic Field Immunity Test ( A --- site )					
Equipment	Manufacturer	Model#	Serial#	Last Cal.	Next Cal.
Magnetic field generator	HTEC	HPFMF	15701	Aug. 27, 2015	Aug. 26, 2016

### For Voltage Dips Interruptions Test

For Voltage Dips Interruptions Test ( A --- site )					
Equipment	Manufacturer	Model#	Serial#	Last Cal.	Next Cal.
Dips Tester	Prima	DRP61011AG	PR14086284	Aug. 27, 2015	Aug. 26, 2016

### 3. CONDUCTED EMISSION AT THE MAINS TERMINALS TEST

#### 3.1. Block Diagram Of Test Setup



#### 3.2. Test Standard

EN 55022: 2010+AC:2011

#### 3.3. Power Line Conducted Emission Limit

Frequency MHz	Limits dB(μV)	
	Quasi-peak Level	Average Level
0.15 ~ 0.50	66 ~ 56*	56 ~ 46*
0.50 ~ 5.00	56	46
5.00 ~ 30.00	60	50

Notes: 1. \*Decreasing linearly with logarithm of frequency.

2. The lower limit shall apply at the transition frequencies.

#### 3.4. EUT Configuration on Test

The following equipments are installed on conducted emission test to meet EN55022 requirement and operating in a manner which tends to maximize its emission characteristics in a normal application.

#### 3.5. Operating Condition of EUT

3.5.1 Setup the EUT and simulators as shown in Section 3.1.

3.5.2 Turn on the power of all equipments.

3.5.3 Let the EUT work in test modes and test it.



### 3.6. Test Procedure

The EUT is put on the ground and connected to the AC mains through a Artificial Mains Network (AMN). This provided a 50ohm coupling impedance for the tested equipments. Both sides of AC line are checked to find out the maximum conducted emission levels according to the **EN55022** regulations during conducted emission test.

The bandwidth of the test receiver (R&S Test Receiver ESCI) is set at 10KHz.

The frequency range from 150 KHz to 30 MHz is investigated.

### 3.7. Test Result

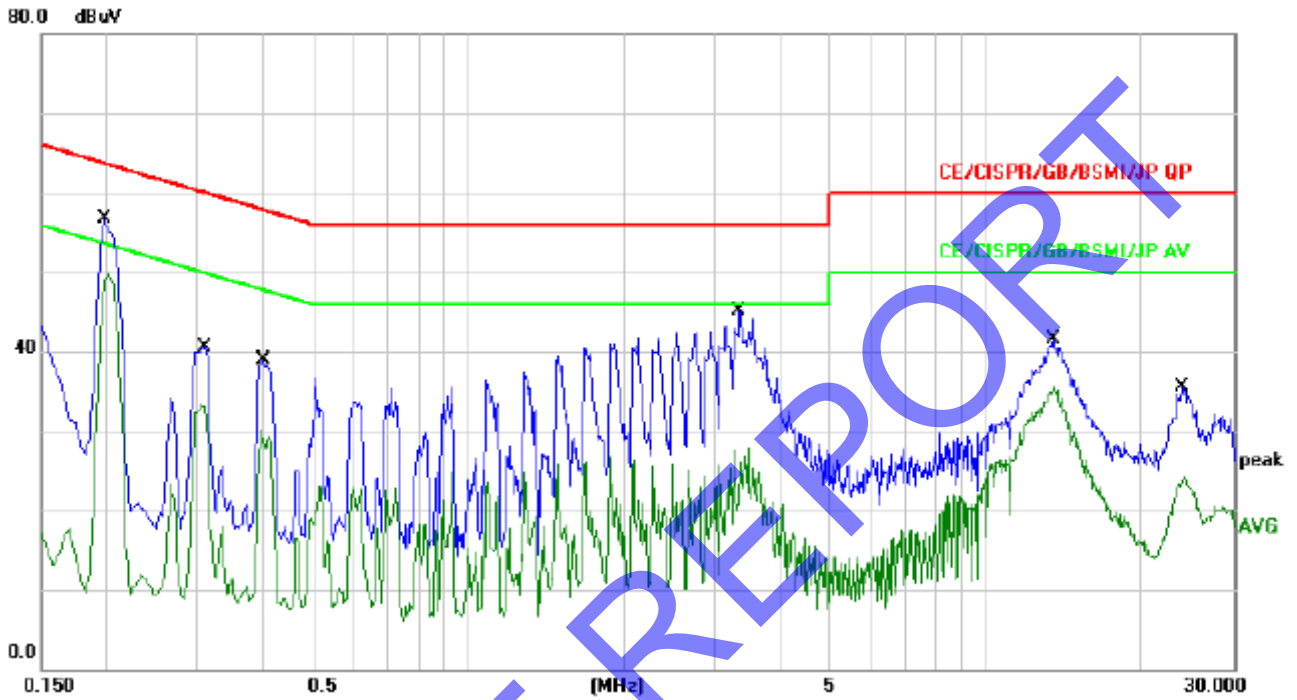
PASS

Please refer to the following page.

DRAFT REPORT



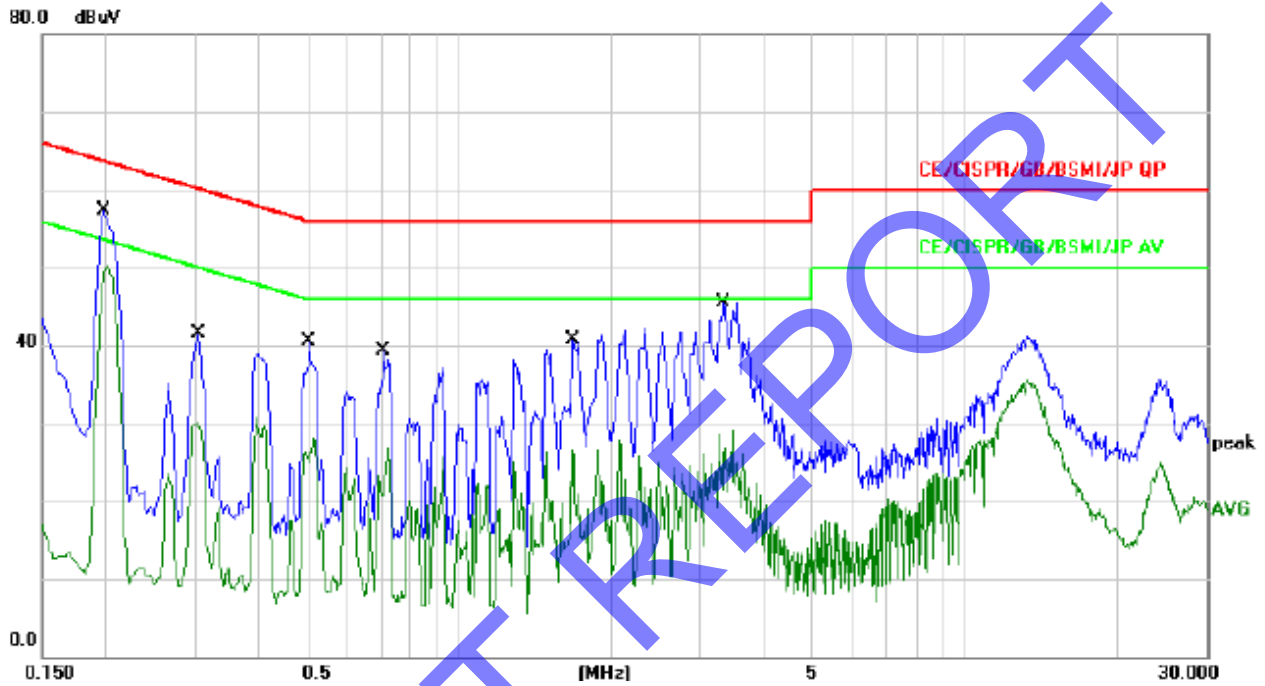
Conducted Emission At The Mains Terminals Test Data			
Temperature:	24.5 °C	Relative Humidity:	54%
Pressure:	1009hPa	Phase :	Line
Test Voltage :	AC 230V/50Hz	Test Mode:	Video



No.	Mk.	Freq. MHz	Reading Level dBuV	Correct Factor dB	Measure- ment dBuV	Limit dBuV	Over dB	Detector	Comment
1		0.1980	46.55	10.06	56.61	63.69	-7.08	QP	
2	*	0.1980	39.53	10.06	49.59	53.69	-4.10	AVG	
3		0.3060	30.52	10.09	40.61	60.08	-19.47	QP	
4		0.3060	23.12	10.09	33.21	50.08	-16.87	AVG	
5		0.3980	28.72	10.10	38.82	57.90	-19.08	QP	
6		0.3980	20.02	10.10	30.12	47.90	-17.78	AVG	
7		3.3340	34.98	10.18	45.16	56.00	-10.84	QP	
8		3.3340	17.63	10.18	27.81	46.00	-18.19	AVG	
9		13.4140	31.27	10.14	41.41	60.00	-18.59	QP	
10		13.4140	25.42	10.14	35.56	50.00	-14.44	AVG	
11		23.9620	25.36	10.19	35.55	60.00	-24.45	QP	
12		23.9620	14.06	10.19	24.25	50.00	-25.75	AVG	



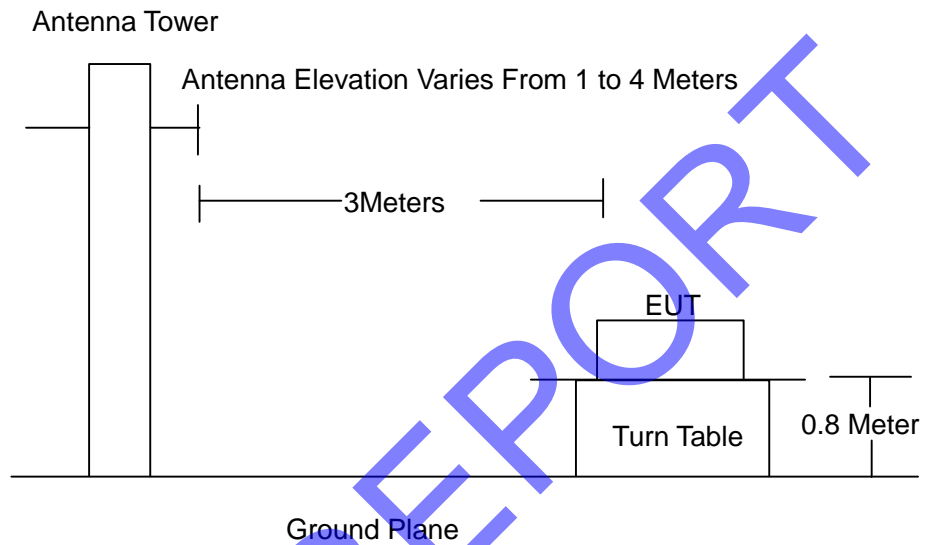
Conducted Emission At The Mains Terminals Test Data			
Temperature:	24.5 °C	Relative Humidity:	54%
Pressure:	1009hPa	Phase :	Neutral
Test Voltage :	AC 230V/50Hz	Test Mode:	Video



No.	Mk.	Freq. MHz	Reading Level dBuV	Correct Factor dB	Measure- ment dBuV	Limit dBuV	Over dB	Detector	Comment
1	*	0.1540	37.17	10.05	47.22	65.78	-18.56	QP	
2		0.1540	25.32	10.05	35.37	55.78	-20.41	AVG	
3		0.1940	34.03	10.06	44.09	63.86	-19.77	QP	
4		0.1940	22.96	10.06	33.02	53.86	-20.84	AVG	
5		0.6660	20.89	10.13	31.02	56.00	-24.98	QP	
6		0.6660	8.22	10.13	18.35	46.00	-27.65	AVG	
7		0.9340	20.78	10.16	30.94	56.00	-25.06	QP	
8		0.9340	8.99	10.16	19.15	46.00	-26.85	AVG	
9		1.4380	19.83	10.17	30.00	56.00	-26.00	QP	
10		1.4380	6.89	10.17	17.06	46.00	-28.94	AVG	
11		2.3740	19.17	10.18	29.35	56.00	-26.65	QP	
12		2.3740	5.23	10.18	15.41	46.00	-30.59	AVG	

## 4. RADIATION EMISSION TEST

### 4.1. Block Diagram of Test Setup



### 4.2. Test Standard

EN 55022: 2010+AC:2011

### 4.3. Radiation Limit

Frequency MHz	Distance (Meters)	Field Strengths Limits dB( $\mu$ V)/m	Detector
30 ~ 230	3	40.0	QP
230 ~ 1000	3	47.0	QP
1000 ~ 3000	3	76.0	PEAK
1000 ~ 3000	3	56.0	AVERAGE
3000 ~ 6000	3	80.0	PEAK
3000 ~ 6000	3	60.0	AVERAGE

Remark:

- (1) Emission level (dB( $\mu$ V)/m) = 20 log Emission level ( $\mu$ V/m)
- (2) The smaller limit shall apply at the cross point between two frequency bands.
- (3) Distance refers to the distance in meters between the measuring instrument, antenna and the closed point of any part of the device or system.

#### 4.4. EUT Configuration on Test

The EN55022 regulations test method must be used to find the maximum emission during radiated emission test.

The configuration of EUT is the same as used in conducted emission test. Please refer to Section 2.2.

#### 4.5. Operating Condition of EUT

Same as conducted emission test, which is listed in Section 2.2 except the test set up replaced as Section 4.1.

#### 4.6. Test Procedure

The EUT and its simulators are placed on a turned table that is 0.8 meter above the ground. The turned table can rotate 360 degrees to determine the position of the maximum emission level. The EUT is set 3 meters away from the receiving antenna that is mounted on the antenna tower. The antenna can move up and down between 1 meter and 4 meters to find out the maximum emission level. Broadband antenna (calibrated biconical and log periodical antenna) is used as receiving antenna. Both horizontal and vertical polarization of the antenna is set on test. In order to find the maximum emission levels, the interface cable must be manipulated according to EN55022 on radiated emission test.

The bandwidth setting on the field strength meter (R&S Test Receiver ESCI) is set at 120KHz below 1GHz, set at 1MHz above 1GHz

The frequency range from 30MHz to 1000MHz is checked.

The highest frequency of the internal sources of the EUT was 1.3GHz, so the measurement was only made up to 6GHz.

#### 4.7. Test Result

**PASS**

Please refer to the following page.





Radiation Emission Test Data			
Temperature:	24.5 °C	Relative Humidity:	54%
Pressure:	1009hPa	Phase :	Horizontal
Test Voltage :	AC 230V/50Hz	Test Mode:	Video



No.	Mk.	Freq.	Reading Level	Correct Factor	Measurement	Limit	Over	Antenna Height	Table Degree	
		MHz	dBuV	dB/m	dBuV/m	dBuV/m	dB	cm	degree	Comment
1		71.8320	43.33	-15.19	28.14	40.00	-11.86	QP		
2		91.1746	46.22	-17.39	28.83	40.00	-11.17	QP		
3	!	169.5990	51.29	-13.43	37.86	40.00	-2.14	QP		
4	*	222.9502	54.64	-15.46	39.18	40.00	-0.82	QP		
5		242.5253	52.64	-14.41	38.23	47.00	-8.77	QP		
6		361.7139	36.16	-11.16	25.00	47.00	-22.00	QP		



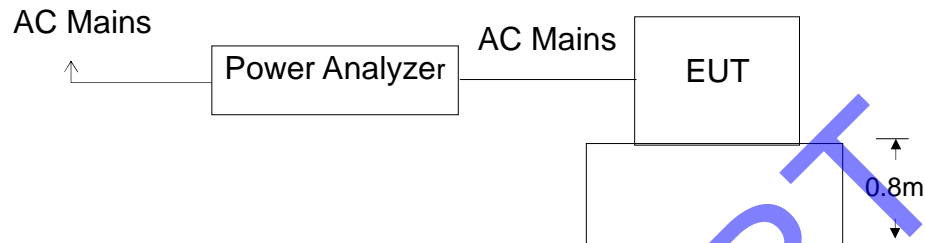
Radiation Emission Test Data			
Temperature:	24.5 °C	Relative Humidity:	54%
Pressure:	1009hPa	Phase :	Vertical
Test Voltage :	AC 230V/50Hz	Test Mode:	Video



No.	Mk.	Freq. MHz	Reading Level dBuV	Correct Factor dB/m	Measure- ment dBuV/m	Limit dBuV/m	Over dB	Detector	Antenna Height cm	Table Degree	Comment
1	!	30.8535	42.26	-8.14	34.12	40.00	-5.88	QP			
2		69.1141	46.00	-14.18	31.82	40.00	-8.18	QP			
3	*	70.8315	49.67	-14.84	34.83	40.00	-5.17	QP			
4		153.7385	37.57	-12.86	24.71	40.00	-15.29	QP			
5		232.5318	49.43	-14.91	34.52	47.00	-12.48	QP			
6		240.8304	48.66	-14.47	34.19	47.00	-12.81	QP			

## 5. HARMONIC CURRENT EMISSION TEST

### 5.1. Block Diagram of Test Setup



### 5.2. Test Standard

EN 61000-3-2:2014

### 5.3. Operating Condition of EUT

- 5.1.1 Setup the EUT as shown in Section 5.1.
- 5.1.2 Turn on the power of all equipments.
- 5.1.3 Let the EUT work in test mode and test it.

### 5.4. Test Procedure

The power cord of the EUT is connected to the output of the test system. Turn on the power of the EUT and use the test system to test the harmonic current level.

### 5.5. Test Results

PASS



## 6. VOLTAGE FLUCTUATIONS & FLICKER TEST

### 6.1. Block Diagram of Test Setup

Same as Section 6.1..

### 6.2. Test Standard

EN 61000-3-3:2013

### 6.3. Operating Condition of EUT

Same as Section 5.3.. The power cord of the EUT is connected to the output of the test system. Turn on the power of the EUT and use the test system to test the harmonic current level.

#### Flicker Test Limit

Test items	Limits
Pst	1.0
dc	3.3%
dmax	4.0%
dt	Not exceed 3.3% for 500ms

### 6.4. Test Procedure

The power cord of the EUT is connected to the output of the test system. Turn on the power of the EUT and use the test system to test the harmonic current level.

### 6.5. Test Results

**PASS**

Please refer to the following page.



Flicker Test Data			
Temperature:	24.5 °C	Relative Humidity:	54%
Pressure:	1009hPa	Phase :	Vertical
Test Voltage :	AC 230V/50Hz	Test Mode:	Video

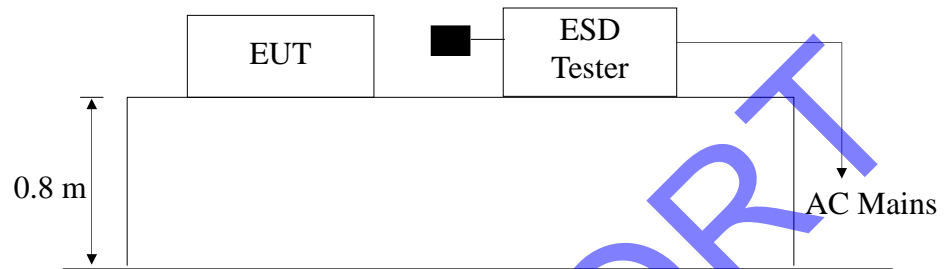
Voltage Fluctuation	Limit	Value
Relative Voltage Change Characteristic Tmax (dc>3%)	500 ms	0 ms
Maximum Relative Voltage Change dmax	4%	0.00
	6%	/
	7%	/
Relative Steady-state Voltage Change dc	3.3%	0.00

Flicker	Limit	Value
Short-term Flicker Indicator Pst	1.0	0.064
Long-term Flicker Indicator Plt	0.65	/

DRAFT REPORT

## 7. ELECTROSTATIC DISCHARGE IMMUNITY TEST

### 7.1. Block Diagram of Test Setup



### 7.2. Test Standard

EN 55024:2010, EN 61000-4-2:2009

Severity Level: 3 / Air Discharge: ±8KV

Level: 2 / Contact Discharge: ±4KV

### 7.3. Severity Levels and Performance Criterion

#### 7.3.1 Severity level

Level	Test Voltage Contact Discharge (KV)	Test Voltage Air Discharge (KV)
1.	±2	±2
2.	±4	±4
3.	±6	±8
4.	±8	±15
X	Special	Special

### 7.3.2 Performance criterion : B

- A.** The apparatus shall continue to operate as intended during and after the test. No degradation of performance or loss of function is allowed below a performance level specified by the manufacturer, when the apparatus is used as intended.
- B.** The apparatus shall continue to operate as intended after the test. No degradation of performance or loss of function is allowed below a performance level specified by the manufacturer, when the apparatus is used as intended. The performance level may be replaced by a permissible loss of performance. During the test, degradation of performance is however allowed.
- C.** Temporary loss of function is allowed, provided the function is self-recoverable or can be restored by the operation of the controls.

### 7.4. EUT Configuration

The following equipments are installed on Electrostatic Discharge Immunity test to meet EN 55024:2010, EN 61000-4-2:2009, requirement and operating in a manner which tends to maximize its emission characteristics in a normal application. The configuration of EUT is the same as used in conducted emission test.

Please refer to Section 2.4.

### 7.5. Operating Condition of EUT

Same as conducted emission measurement, which is listed in Section 3.5 except the test setup replaced by Section 7.1.2.

### 7.6. Test Procedure

#### 7.6.1 Air Discharge:

This test is done on a non-conductive surface. The round discharge tip of the discharge electrode shall be approached as fast as possible to touch the EUT. After each discharge, the discharge electrode shall be removed from the EUT. The generator is then re-triggered for a new single discharge and repeated 10 times for each pre-selected test point. This procedure shall be repeated until all the air discharge completed.

#### 7.6.2 Contact Discharge:

All the procedure shall be same as Section 7.6.1. Except that the tip of the discharge electrode shall touch the EUT before the discharge switch is operated.



### 7.6.3 Indirect discharge for horizontal coupling plane

At least 10 single discharges (in the most sensitive polarity) shall be applied at the front edge of each HCP opposite the center point of each unit (if applicable) of the EUT and 0.1m from the front of the EUT. The long axis of the discharge electrode shall be in the plane of the HCP and perpendicular to its front edge during the discharge.

### 7.6.4 Indirect discharge for vertical coupling plane

At least 10 single discharges (in the most sensitive polarity) shall be applied to the center of one vertical edge of the coupling plane. The coupling plane, of dimensions 0.5m X 0.5m, is placed parallel to, and positioned at a distance of 0.1m from the EUT. Discharges shall be applied to the coupling plane, with this plane in sufficient different positions that the four faces of the EUT are complete illuminated.

## 7.7. Test Results

**PASS**

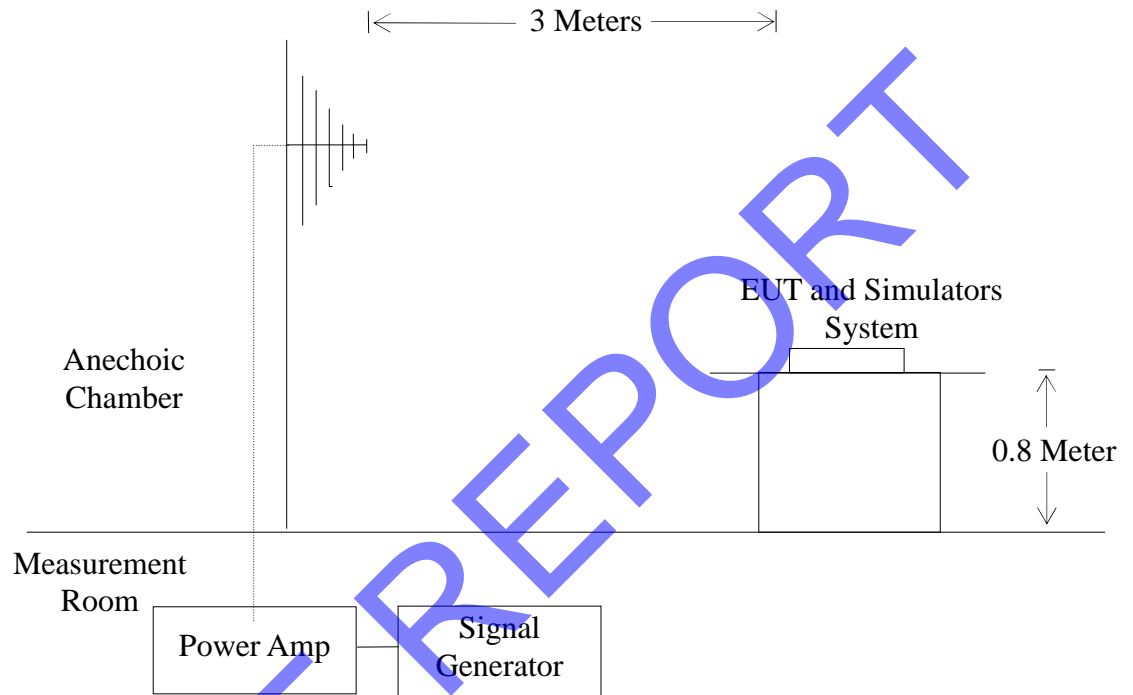
Please refer to the following page.

ESD Test Data				
Temperature:	24.5°C	Humidity:	53%	
Power Supply :	AC 230V/50Hz	Test Mode:	Video	
Air Discharge: ± 8KV				
Contact Discharge: ± 4KV				
# For each point positive 25 times and negative 25 times discharge				
Test Points	Air Discharge	Contact Discharge	Performance Criterion	Result
Enclosure	±2,4,8KV	N/A	B	PASS
Slit	±2,4,8KV	N/A	B	PASS
Metal Part	N/A	±2,4 KV	B	PASS
VCP	N/A	±2,4 KV	B	PASS
HCP	N/A	±2,4 KV	B	PASS
Note: N/A				



## 8. RF FIELD STRENGTH SUSCEPTIBILITY TEST

### 8.1. Block Diagram of Test Setup



### 8.2. Test Standard

EN 55024:2010, EN 61000-4-3: 2006+A1:2008+A2:2010  
Severity Level 2, 3V / m

### 8.3. Severity Levels and Performance Criterion

#### 8.3.1. Severity level

Level	Field Strength V/m
1.	1
2.	3
3.	10
X.	Special

#### 8.3.2. Performance criterion: A

- A、 The apparatus shall continue to operate as intended during and after the test. No degradation of performance or loss of function is allowed below a performance level specified by the manufacturer, when the apparatus is used as intended.
- B、 The apparatus shall continue to operate as intended after the test. No degradation of performance or loss of function is allowed below a performance level specified by the manufacturer, when the apparatus is used as intended. The performance level may be replaced by a permissible loss of performance. During the test, degradation of performance is however allowed.
- C、 Temporary loss of function is allowed, provided the function is self-recoverable or can be restored by the operation of the controls.

### 8.4. EUT Configuration on Test

The following equipments are installed on Electrical Fast Transient/Burst Immunity test to meet EN 55024:2010, EN 61000-4-4:2012, requirement and operating in a manner which tends to maximize its emission characteristics in a normal application. The configuration of EUT is the same as used in conducted emission test.

Please refer to Section 3.4.

### 8.5. Operating Condition of EUT

Same as conducted emission measurement, which is listed in Section 2.5 except the test setup replaced by Section 8.1.

### 8.6. Test Procedure

The EUT and its simulators are placed on a turn table which is 0.8 meter above ground. EUT is set 3 meter away from the transmitting antenna which is mounted on an antenna tower. Both horizontal and vertical polarization of the antenna are set on test. Each of the four sides of EUT must be faced this transmitting antenna and measured individually.

All the scanning conditions are as follows :

Condition of Test	Remarks
1. Fielded Strength	3 V/m (Severity Level 2)
2. Radiated Signal	Modulated
3. Scanning Frequency	80 – 1000 MHz
4. Dwell time of radiated	0.0015 decade/s
5. Waiting Time	1 Sec.

### 8.7. Test Results

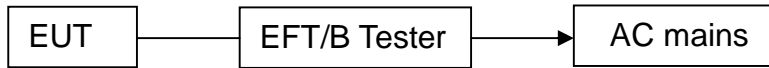
**PASS**

Please refer to the following page.

R/S Test Data			
Temperature : 25°C		Humidity : 53%	
Field Strength: 3 V/m		Criterion: A	
Power Supply: AC 230V/50Hz		Frequency Range: 80 MHz to 1000 MHz	
Modulation: <input checked="" type="checkbox"/> AM <input type="checkbox"/> Pulse <input type="checkbox"/> none    1 KHz    80%			
Test Mode : Video			
Frequency Range : 80-1000MHz			
Steps    1 %			
	Horizontal	Vertical	Result
Front	A	A	Pass
Right	A	A	Pass
Rear	A	A	Pass
Left	A	A	Pass
Note: N/A			

## 9. ELECTRICAL FAST TRANSIENT/BURST IMMUNITY TEST

### 9.1. Block Diagram of EUT Test Setup



### 9.2. Test Standard

EN 55024:2010, EN 61000-4-4:2012

### 9.3. Severity Levels and Performance Criterion

Severity Level 2 at 1KV, Pulse Rise time & Duration: 5 nS / 50 nS  
Severity Level:

Open Circuit Output Test Voltage $\pm 10\%$		
Level	On power ports	On I/O(Input/Output) Signal data and control ports
1.	0.5KV	0.25KV
2.	1KV	0.5KV
3.	2KV	1KV
4.	4KV	2KV
X.	Special	Special

#### Performance criterion: B

- A. The apparatus shall continue to operate as intended during and after the test. No degradation of performance or loss of function is allowed below a performance level specified by the manufacturer, when the apparatus is used as intended.
- B. The apparatus shall continue to operate as intended after the test. No degradation of performance or loss of function is allowed below a performance level specified by the manufacturer, when the apparatus is used as intended. The performance level may be replaced by a permissible loss of performance. During the test, degradation of performance is however allowed.
- C. Temporary loss of function is allowed, provided the function is self-recoverable or can be restored by the operation of the controls.

#### 9.4. EUT Configuration on Test

The following equipments are installed on Electrical Fast Transient/Burst Immunity test to meet EN 55024:2010, EN 61000-4-4:2012, requirement and operating in a manner which tends to maximize its emission characteristics in a normal application. The configuration of EUT is the same as used in conducted emission test.

Please refer to Section 3.4.

#### 9.5. Operating Condition of EUT

Same as conducted emission measurement, which is listed in Section 2.6 except the test setup replaced by Section 9.1.

#### 9.6. Test Procedure

EUT shall be placed 0.8m high above the ground reference plane which is a min.1m\*1m metallic sheet with 0.65mm minimum thickness. This reference ground plane shall project beyond the EUT by at least 0.1m on all sides and the minimum distance between EUT and all other conductive structure, except the ground plane beneath the EUT, shall be more than 0.5m

9.6.1. For input and output AC power ports:

The EUT is connected to the power mains by using a coupling device which couples the EFT interference signal to AC power lines. Both polarities of the test voltage should be applied during compliance test and the duration of the test is 2 minutes.

DRAFT REPORT



## 9.7. Test Results

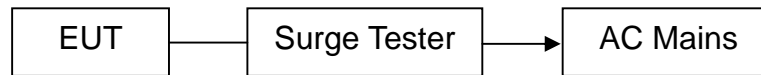
PASS

Please refer to the following page.

EFT Test Data				
Temperature:	24.5℃	Humidity:	53%	
Power Supply :	AC 230V/50Hz	Test Mode:	Video	
Coupling Line	Test Voltage		Performance Criterion	Result
	±0.5kV	±1kV		
L	±0.5kV	±1kV	B	PASS
N	±0.5kV	±1kV	B	PASS
L-N	±0.5kV	±1kV	B	PASS
PE	±0.5kV	±1kV	B	N/A
L-PE	±0.5kV	±1kV	B	N/A
N-PE	±0.5kV	±1kV	B	N/A
L-N-PE	±0.5kV	±1kV	B	N/A
DC Line	/	/		/
Note: N/A				

## 10. SURGE TEST

### 10.1. Block Diagram of EUT Test Setup



### 10.2. Test Standard

EN 55024:2010, EN61000-4-5:2014

### 10.3. Severity Levels and Performance Criterion

Severity Level: Line to Line, Level 2 at 1KV;

Severity Level: Line to Earth, Level 3 at 2KV.

Severity Level	Open-Circuit Test Voltage (KV)
1.	0.5
2.	1.0
3.	2.0
4.	4.0
X.	Special

#### Performance criterion: B

- A. The apparatus shall continue to operate as intended during and after the test. No degradation of performance or loss of function is allowed below a performance level specified by the manufacturer, when the apparatus is used as intended.
- B. The apparatus shall continue to operate as intended after the test. No degradation of performance or loss of function is allowed below a performance level specified by the manufacturer, when the apparatus is used as intended. The performance level may be replaced by a permissible loss of performance. During the test, degradation of performance is however allowed.
- C. Temporary loss of function is allowed, provided the function is self-recoverable or can be restored by the operation of the controls.

#### 10.4. EUT Configuration on Test

The following equipments are installed on Electrical Fast Transient/Burst Immunity test to meet EN 55024:2010, EN61000-4-5:2014, requirement and operating in a manner which tends to maximize its emission characteristics in a normal application

The configuration of EUT is the same as used in conducted emission test. Please refer to Section 3.4.

#### 10.5. Operating Condition of EUT

Same as conducted emission measurement, which is listed in Section 2.7 except the test setup replaced by Section 10.1.

#### 10.6. Test Procedure

- 1) Set up the EUT and test generator as shown on section 10.1
- 2) For line to line coupling mode, provide a 1KV 1.2/50us voltage surge (at open-circuit condition) and 8/20us current surge to EUT selected points.
- 3) At least 5 positive and 5 negative (polarity) tests with a maximum 1/min repetition rate are conducted during test.
- 4) Different phase angles are done individually.
- 5) Repeat procedure 2) to 4) except the open-circuit test voltage change from 1KV to 2KV for line to earth coupling mode test.
- 6) Record the EUT operating situation during compliance test and decide the EUT immunity criterion for above each test.

DRAFT REPORT





## 10.7. Test Result

PASS

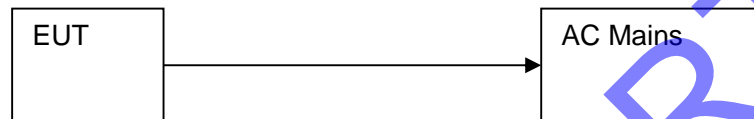
Please refer to the following page.

Surge Test Data						
Temperature:	24.5℃		Humidity:	53%		
Power Supply :	AC 230V/50Hz		Test Mode:	Video		
Location	Polarity	Phase Angle	No of Pulse	Pulse Voltage (KV)	Performance Criterion	Result
L-N	±	0	5	1	B	Pass
	±	90	5	1		Pass
	±	180	5	1		Pass
	±	270	5	1		Pass
L-PE	±	0	5	2		N/A
	±	90	5	2		N/A
	±	180	5	2		N/A
	±	270	5	2		N/A
N-PE	±	0	5	2		N/A
	±	90	5	2		N/A
	±	180	5	2		N/A
	±	270	5	2		N/A
Signal Line	±			0.5		N/A
Note: N/A						

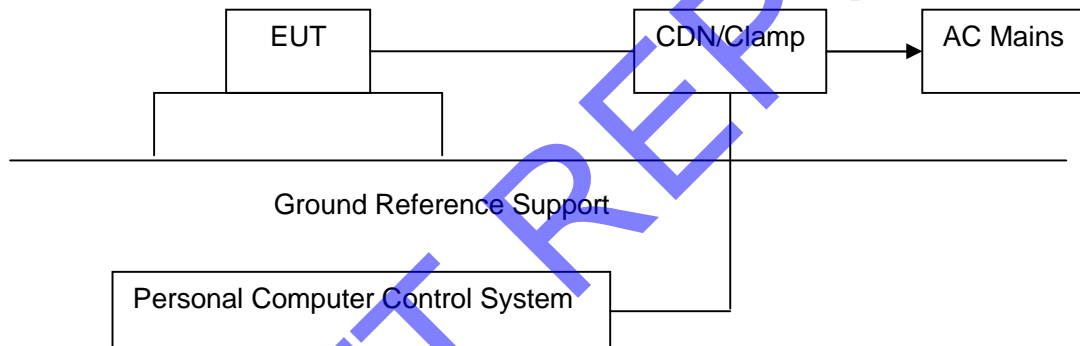
## 11. INJECTED CURRENTS SUSCEPTIBILITY TEST

### 11.1. Block Diagram of EUT Test Setup

#### 11.1.1. Block Diagram of EUT Test Setup



#### 11.1.2. Block Diagram of Test Setup



### 11.2. Test Standard

EN 55024:2010, EN61000-4-6:2014

### 11.3. Severity Levels and Performance Criterion

Severity Level 2: 3V( rms ), 150KHz ~ 80MHz

Severity Level:

Level	Field Strength V
1.	1
2.	3
3.	10
X.	Special

**Performance criterion: A**

- A. The apparatus shall continue to operate as intended during and after the test. No degradation of performance or loss of function is allowed below a performance level specified by the manufacturer, when the apparatus is used as intended.
- B. The apparatus shall continue to operate as intended after the test. No degradation of performance or loss of function is allowed below a performance level specified by the manufacturer, when the apparatus is used as intended. The performance level may be replaced by a permissible loss of performance. During the test, degradation of performance is however allowed.
- C. Temporary loss of function is allowed, provided the function is self-recoverable or can be restored by the operation of the controls.

**11.4. EUT Configuration on Test**

The configuration of EUT is the same as used in conducted emission test. Please refer to Section 2.8.

**11.5. Operating Condition of EUT**

Same as conducted emission test, which is listed in Section 2.8 except the test set up replaced as Section 11.1.

**11.6. Test Procedure**

- 1) Set up the EUT, CDN and test generator as shown on section 11.1
- 2) Let EUT work in test mode and measure.
- 3) The EUT and supporting equipments are placed on an insulating support 0.1m high above a ground reference plane. CDN (coupling and decoupling device) is placed on the ground plane at above 0.1-0.3m from EUT. Cables between CDN and EUT are as short as possible, and their height above the ground reference plane shall be between 30 and 50 mm (where possible).
- 4) The disturbance signal described below is injected to EUT through CDN.
- 5) The EUT operates within its operational mode(s) under intended climatic conditions after power on.
- 6) The frequency range is swept from 150KHz to 80MHz using 3V signal level, and with the disturbance signal 80% amplitude modulated with a 1KHz sine wave
- 7) The rate of sweep shall not exceed  $1.5 \times 10^{-3}$  decades/s. Where the frequency is swept incrementally, the step size shall not exceed 1% of the start and thereafter 1% of the preceding frequency value.



- 8) Recording the EUT operating situation during compliance test and decide the EUT immunity criterion for above each test.

### 11.7. Test Result

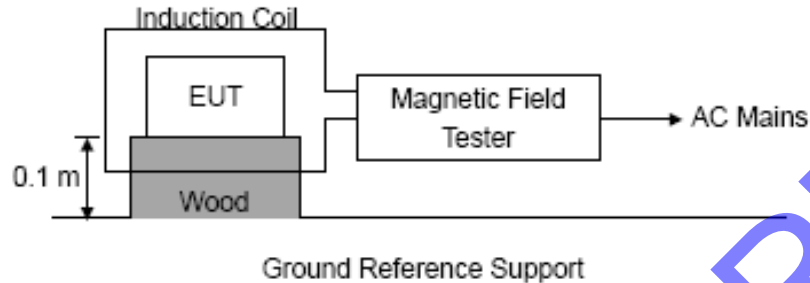
**PASS**

Please refer to the following page.

CS Test Data						
Temperature:	24.5℃		Humidity:	53%		
Power Supply :	AC 230V/50Hz		Test Mode:	Video		
Frequency Range(MHz)	Injected Position	Strength	Modulation Signal	Freq. Step	Performance Criterion	Result
150KHz ~ 80MHz	AC Line	3V(rms), Unmodulated	AM 80%, 1kHz sine wave	1%	A	Pass
150KHz ~ 80MHz	DC Line	3V(rms), Unmodulated	AM 80%, 1kHz sine wave	1%	/	/
150KHz ~ 80MHz	Signal Line	3V(rms), Unmodulated	AM 80%, 1kHz sine wave	1%	/	/
Note: N/A						

## 12. MAGNETIC FIELD IMMUNITY TEST

### 12.1. Block Diagram of Test Setup



### 12.2. Test Standard

EN 55024:2010, EN61000-4-8:2010  
Severity Level 1 at 1A/m

### 12.3. Severity Levels and Performance Criterion

#### 12.3.1 Severity level

Level	Magnetic Field Strength A/m
1.	1
2.	3
3.	10
4.	30
5.	100
X.	Special

#### 12.3.2 Performance criterion: B

- A. The apparatus shall continue to operate as intended during and after the test. No degradation of performance or loss of function is allowed below a performance level specified by the manufacturer, when the apparatus is used as intended.
- B. The apparatus shall continue to operate as intended after the test. No degradation of performance or loss of function is allowed below a performance level specified by the manufacturer, when the apparatus is used as intended. The performance level may be replaced by a permissible loss of performance. During the test, degradation of performance is however allowed.
- C. Temporary loss of function is allowed, provided the function is



self-recoverable or can be restored by the operation of the controls.

#### 12.4. EUT Configuration on Test

The configuration of EUT is listed in Section 2.9.

#### 12.5. Operating Condition of EUT

Same as conducted emission test, which is listed in Section 2.9 except the test set up replaced as Section 12.1.

#### 12.6. Test Procedure

The EUT shall be subjected to the test magnetic field by using the induction coil of standard dimensions (1m\*1m) and shown in Section 10.1. The induction coil shall then be rotated by 90° in order to expose the EUT to the test field with different orientations.

#### 12.7. Test Results

PASS

Please refer to the following page.

MS Test Data					
Temperature:	24.5°C	Humidity:	53%		
Power Supply :	AC 230V/50Hz	Test Mode:	Video		
Environmental Phenomena	Test specification	Units	Coil Orientation	Performance Criterion	Result
Magnetic Field	1	A/m	X	A	PASS
			Y	A	PASS
			Z	A	PASS
Note: N/A					

### 13. VOLTAGE DIPS AND INTERRUPTIONS TEST

#### 13.1. Block Diagram of EUT Test Setup



#### 13.2. Test Standard

EN 55024:2010, EN61000-4-11:2004

#### 13.3. Severity Levels and Performance Criterion

Severity Level:

Input and Output AC Power Ports.

- Ⓟ Voltage Dips.
- Ⓟ Voltage Interruptions.

Environmental Phenomena	Test Specification	Units	Performance Criterion
Voltage Dips	>95 0.5	% Reduction period	B
	30 25	% Reduction period	C
Voltage Interruptions	>95 250	% Reduction period	C

**Performance criterion:** B, C, C

- A. The apparatus shall continue to operate as intended during and after the test. No degradation of performance or loss of function is allowed below a performance level specified by the manufacturer, when the apparatus is used as intended.
- B. The apparatus shall continue to operate as intended after the test. No degradation of performance or loss of function is allowed below a performance level specified by the manufacturer, when the apparatus is used as intended. The performance level may be replaced by a permissible loss of performance. During the test, degradation of performance is however allowed.
- C. Temporary loss of function is allowed, provided the function is self-recoverable or can be restored by the operation of the controls.

#### 13.4. EUT Configuration on Test



The configuration of EUT is the same as used in conducted emission test. Please refer to Section 2.10.

### 13.5. Operating Condition of EUT

Same as conducted emission test, which is listed in Section 2.10 except the test set up replaced as Section 13.1.

### 13.6. Test Procedure

- 1) Set up the EUT and test generator as shown on section 13.1
- 2) The interruption is introduced at selected phase angles with specified duration. There is a 3mins minimum interval between each test event.
- 3) After each test a full functional check is performed before the next test.
- 4) Repeat procedures 2 & 3 for voltage dips, only the level and duration is changed.
- 5) Record any degradation of performance.

### 13.7. Test Result

**PASS**

Please refer to the following page.

DIPS Test Data			
Temperature:	24.5°C	Humidity:	53%
Power Supply :	AC 230V/50Hz	Test Mode:	Video
Environmental Phenomena	Test Specification	Units	Performance Criterion
Voltage Dips	>95 0.5	% Reduction period	B
	30 25	% Reduction period	C
Voltage Interruptions	>95 250	% Reduction period	C



## 14. EUT PHOTOGRAPHS

EUT Photo 1



EUT Photo 2



**EUT Photo 3**



**EUT Photo 4**



**EUT Photo 5**



**EUT Photo 6**



EUT Photo 7



EUT Photo 8

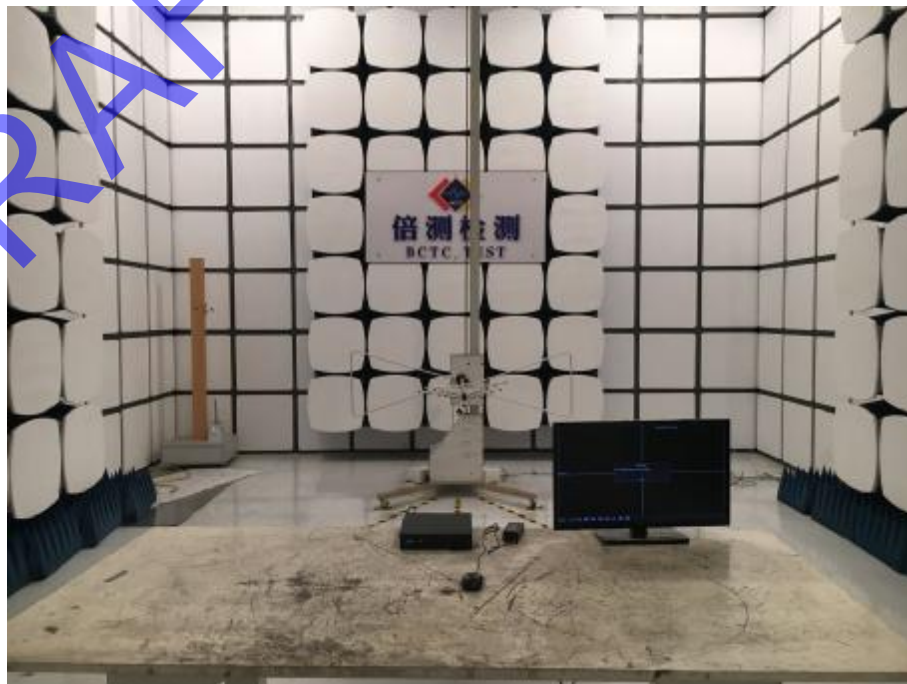


## 15. EUT TEST PHOTOGRAPHS

CE



RE



RS



ESD



\*\*\*\*\* END OF REPORT \*\*\*\*\*